

CMD  
EXP/12.23

# Exhaust & Prefill Valve Type : EXP



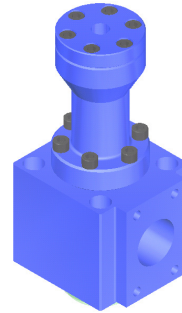
Replaces : EXP/11.11

Size : 50 to 80

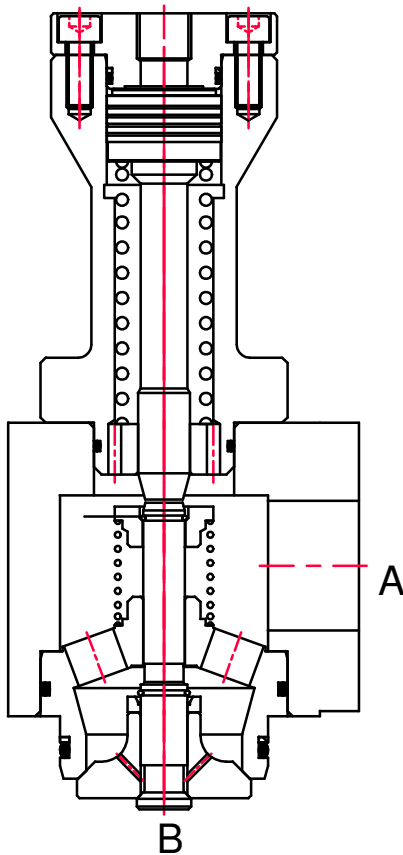
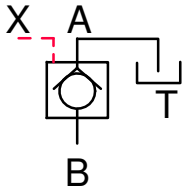
up to 315 bar

**Features :**

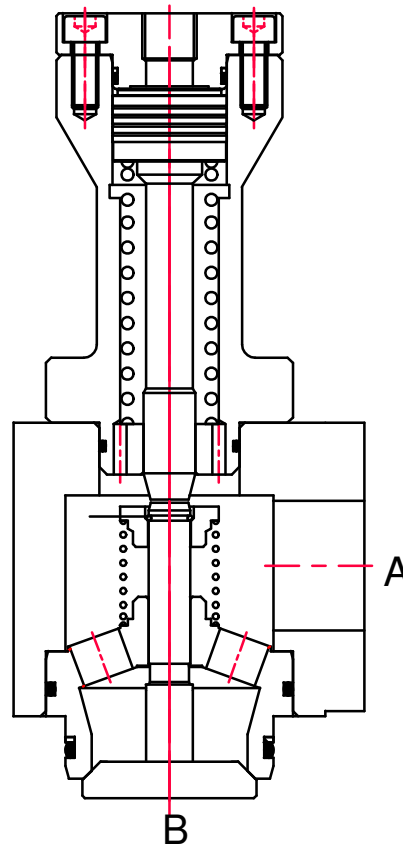
- A to B free flow
- B to A Pilot Operated
- Available with decompression or without decompression
- Directly Mounted to Hydraulic Cylinder



Symbols :

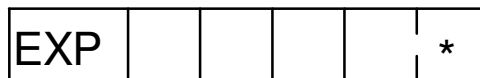


With Decompression



Without Decompression

Ordering code :



Nominal size 50 = 50  
 Nominal size 63 = 63  
 Nominal size 80 = 80

Mounting  
 Flange Mounting = 01  
 Inside Tank Mounting = 02

Further details to specify

Revision status index

1 = With Decompression  
 2 = Without Decompression

CMD  
EXP/12.23

# Exhaust & Prefill Valve Type : EXP

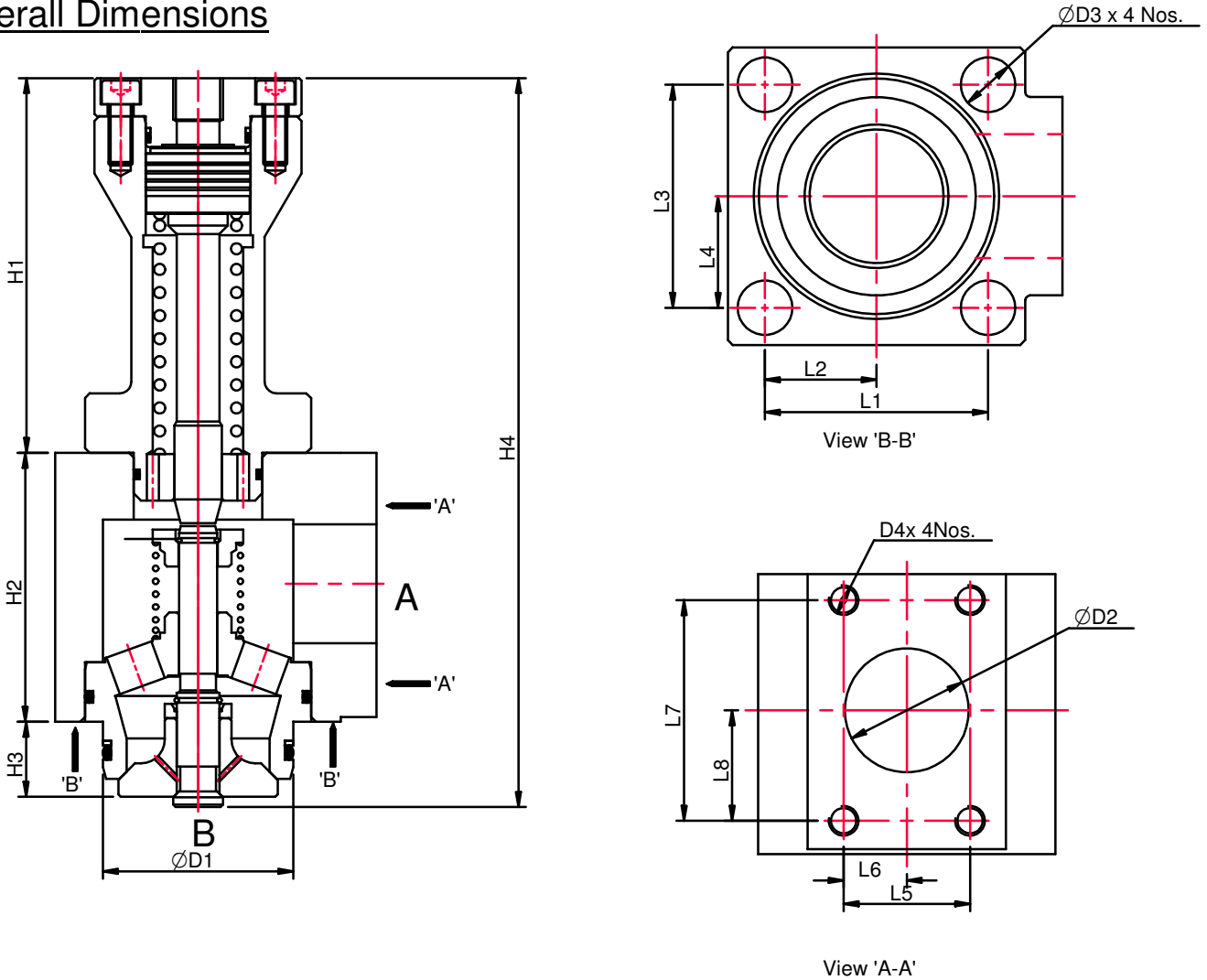


Replaces : EXP/11.11

Size : 50 to 80

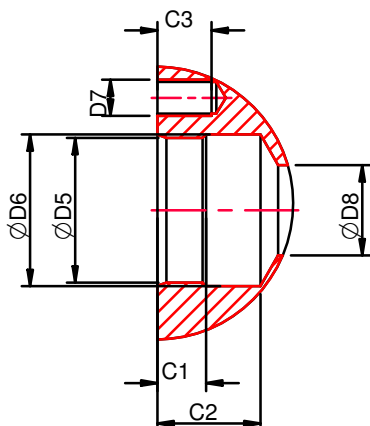
up to 315 bar

## Overall Dimensions




Size	H1	H2	H3	H4	ØD1	ØD2	ØD3	L1	L2	L3	L4	D4	L5	L6	L7	L8
50	158	113	32	307	80	50	22	90	45	90	45	M12	51	25.5	89	44.5
63	204	139	41	389	95	63	26	105	52.5	105	52.5	M16	62	31	106.5	53.25
80	227	160	38.5	430.5	115	76	33	130	65	130	65	M16	62	31	106.5	53.25

## Mounting dimensions



Size	ØD5	ØD6	D7	ØD8	C1	C2	C3	Bolts Required
50	80	84	M20	50	25	57	30	SCH M20 x 140 Lg
63	95	104	M24	63	25	64	42	SCH M24 x 180 Lg
80	115	130	M30	80	30	76	50	SCH M30 x 200 Lg

CMD EXP/12.23		Exhaust & Prefill Valve Type : EXP					
Replaces : EXP/11.11							Size : 50 to 80
Technical data (for other sizes and special application, please contact <a href="mailto:mktg@cmhydraulics.com">mktg@cmhydraulics.com</a> )							
Maxmium operating pressure			bar	315 Bar			
Mounting Type			Flange Mounting Inside Tank Mounting				
Maxmium flow (LPM)		Size	Velocity (m/sec)				
			1	2	3	4	5
		50	117	234	351	468	585
		63	186	372	558	744	930
		80	300	600	900	1200	1500
Pressure fluid			Mineral oil (HL,HLP) to DIN 51 524; Fast bio-degradable pressure fluids to VDMA 24 568;HTEG (rape seed oil); HEPG (polyglycol); HEES (synthetic ester); other fluids on request				
Pressure fluid - temperature range			°C	- 30 to + 80			
Viscosity range			mm <sup>2</sup> /s	2.8 to 500			
Degree of contamination			Maxmium premissible degree of contamination of the fluid is to NAS 1638 class 9.				
Weight		Size	50	63	80		
		Kg.	16	27	50		

CMD  
EXP/12.23

# Exhaust & Prefill Valve Type : EXP



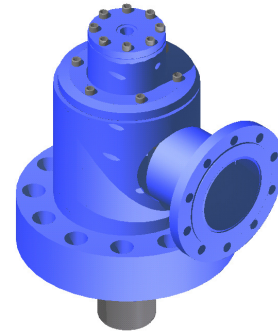
Replaces : EXP/11.11

Size : 100 to 125

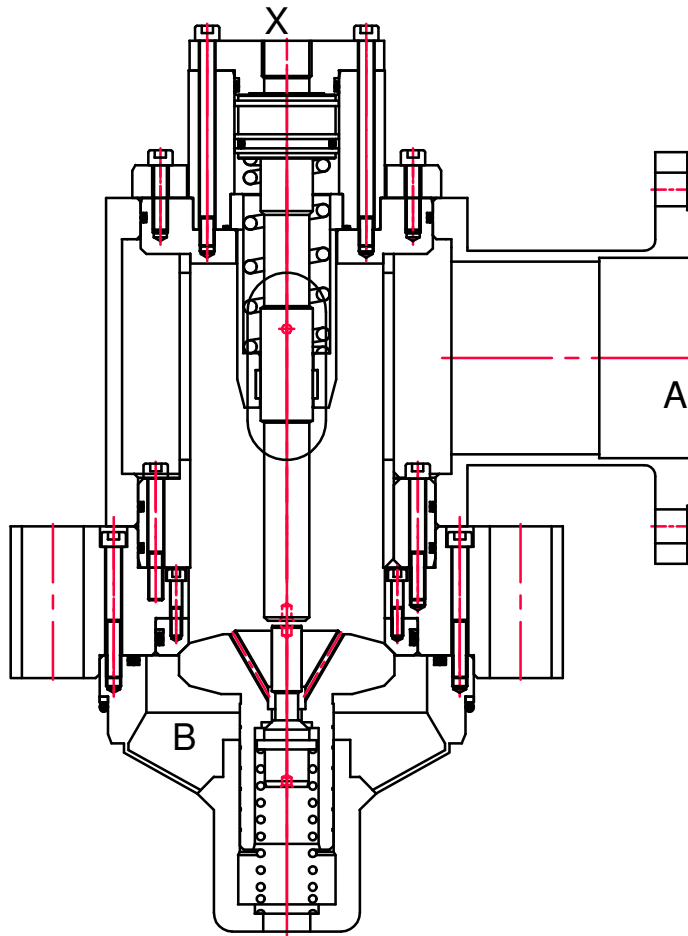
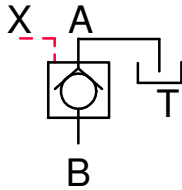
up to 315 bar

**Features :**

- A to B free flow
- B to A Pilot Operated
- Available with decompression
- Directly Mounted to Hydraulic Cylinder or Tank mounted



Symbols :



Ordering code :

EXP      \*      \*

Nominal size 100  
Nominal size 125

= 100  
= 125

Further details to specify

Revision status index

Mounting  
Flange Mounting  
Inside Tank Mounting

= 01  
= 02

1 = With Decompression

CMD  
EXP/12.23

# Exhaust & Prefill Valve Type : EXP

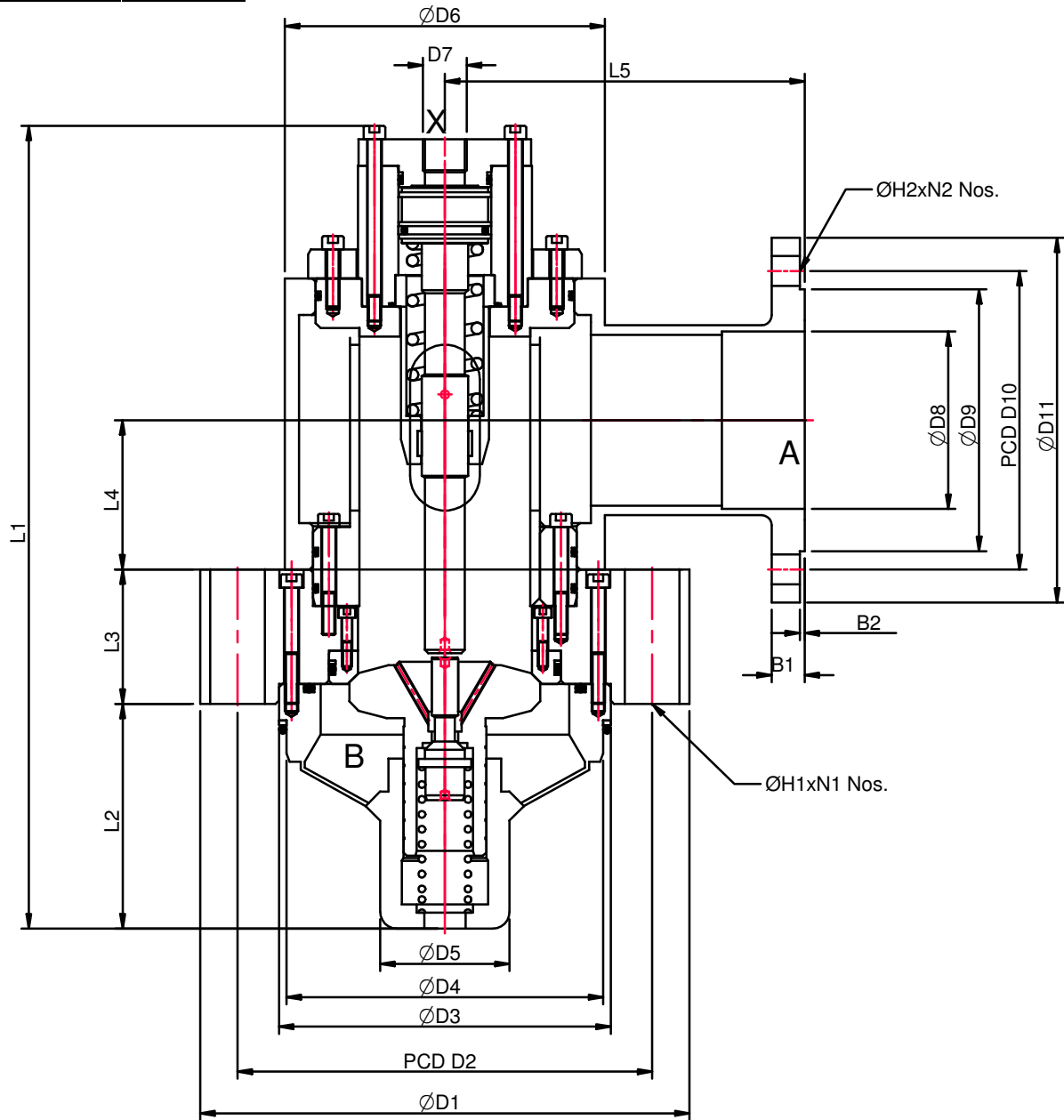


Replaces : EXP/11.11

Size : 100 to 125

up to 315 bar

## Overall Dimensions



Size	L1	L2	L3	L4	L5	$\varnothing D1$	D2	$\varnothing D3$	$\varnothing D4$	$\varnothing D5$	$\varnothing D6$	$\varnothing D7$	$\varnothing D8$	$\varnothing D9$	D10	$\varnothing D11$
100	484	136	81	90	217	295	250	200	191	78	193	3/4" BSP	107	158	180	220
125	589	160	90	120	247.5	370	310	250	242	98	245	3/4" BSP	131	188	210	250

Size	B1	B2	H1	N1	H2	N2
100	20	3	$\varnothing 33$	12	$\varnothing 18$	10
125	20	3	$\varnothing 40$	12	$\varnothing 18$	10

CMD  
EXP/12.23

## Exhaust & Prefill Valve Type : EXP

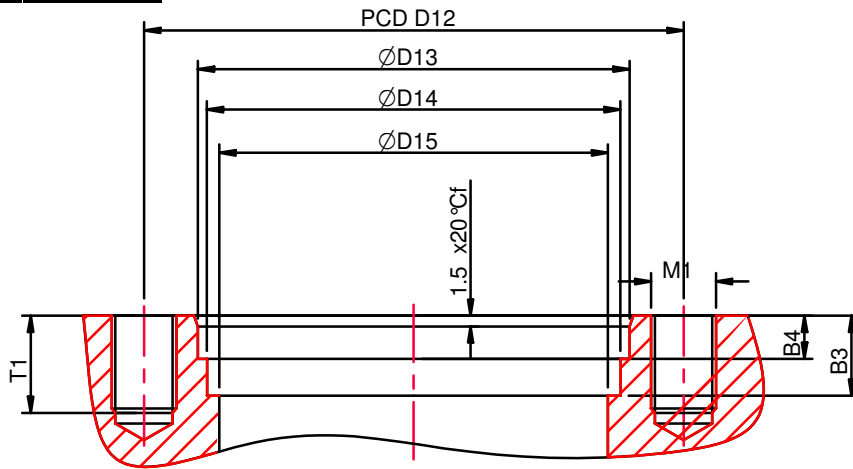


Replaces : EXP/11.11

Size : 100 to 125

up to 315 bar

### Mounting dimensions



Size	D12	ØD13	ØD14	ØD15	B3	B4	M1	T1	Bolts Required
100	250	200	191.6	180	37	20	M30 x 12 Nos.	45	SCH M30 x 120 Lg.
125	310	250	241.6	230	25	20	M36 x 12 Nos.	65	SCH M36 x 150 Lg.

Technical data (for other sizes and special application, please contact [mktg@cmhydraulics.com](mailto:mktg@cmhydraulics.com))

Maximum operating pressure bar 315 Bar

Mounting Type Flange Mounting  
Inside Tank Mounting

Maximum flow (LPM)	Size	Velocity (m/sec)				
		1	2	3	4	5
	100	470	940	1410	1880	2350
125	735	1470	2205	2940	3675	

Pressure fluid Mineral oil (HL,HLP) to DIN 51 524;  
Fast bio-degradable pressure fluids to VDMA 24 568;HTEG (rape seed oil);  
HEPG (polyglycol); HEES (synthetic ester);  
other fluids on request

Pressure fluid - temperature range °C - 30 to + 80

Viscosity range mm<sup>2</sup>/s 2.8 to 500

Degree of contamination Maximum permissible degree of contamination of the fluid is to NAS 1638 class 9.

Weight	Size	100	125
	Kg.	70	120