

CMD
RVD/12.23

Relief valve type RVD



Replaces : RVD 11.11

Size : 06 to 20

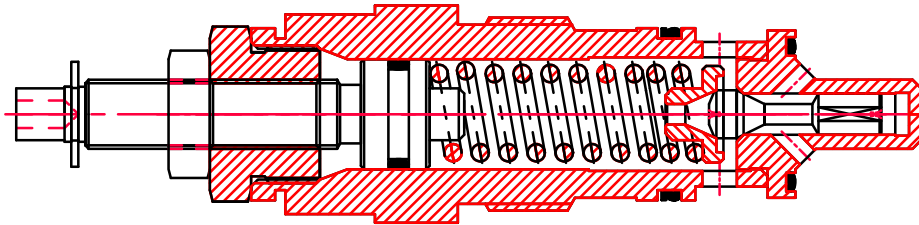
up to 315 bar

up to 450 L/min.

Features :

- For Threaded connections
- With Cavity
- For Subplate mountings
- Adjustable Pressure settings
(see ordering code)

Symbols :



Ordering code

RVD S 06 *

Set Screw Adjustment =S
Hand Knob Adjustment =H

Nominal size 06 =06
Nominal size 10 =10
Nominal size 20 =20

Further details to specify

25 = Pr. 25 Bar
50 = Pr. 50 Bar
100 = Pr. 100 Bar
200 = Pr. 200 Bar
315 = Pr. 315 Bar
400 = Pr. 400 Bar
630 = Pr. 630 Bar(Only for 10 Size)

K= Cartridge Type (See Page 2)
T= Threaded port body (See Page 2)
S= Subplate Connections (See Page 3)

Technical data (for other sizes and special application, please contact mktg@cmhydraulics.com)

Maximum operating pressure	bar	400 Bar, 630 Bar			
Operating pressure	bar	25,50,100,200,315,400			
Maximum flow	Size	06	10	20	
	L/min.	50	120	250	
Pressure fluid		Mineral oil (HL,HLP) to DIN 51 524; Fast bio-degradable pressure fluids to VDMA 24 568;HTEG (rape seed oil); HEPG (polyglycol); HEES (synthetic ester); other fluids on request			
Pressure fluid - temperature range	°C	- 30 to + 80			
Viscosity range	mm ² /s	2.8 to 500			
Degree of contamination		Maximum permissible degree of contamination of the fluid is to NAS 1638 class 9.			
Weight	Size	06	10	20	
	Kg.	0.4	0.5	1.0	

CMD
RVD/12.23

Relief valve type RVD



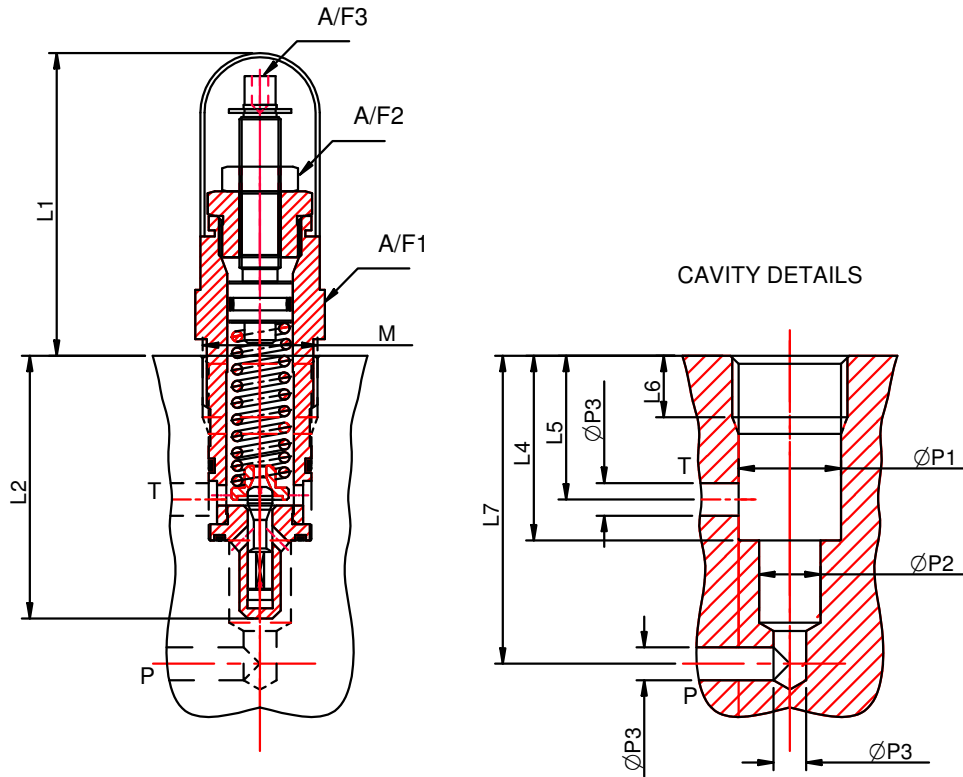
Replaces : RVD 11.11

Size : 06 to 20

up to 315 bar

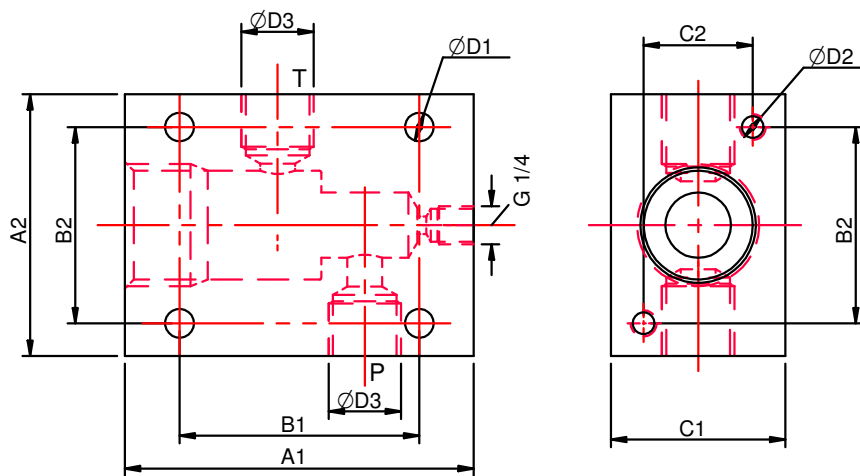
up to 450 L/min.

Cartridge Type



Size	A/F1	A/F2	A/F3	M	L1	L2	L4	L5	L6	L7	ØP1	ØP2	ØP3
06	30	16	4	M28x1.5	75	64	45	35	19	55	25	15	8
10	36	24	6	M35x1.5	85	77	52	41	23	69	32	19	10
20	46	19	6	M45x1.5	65	106	70	54	27	92	40	24	20

Threaded Port Body Type



Size	A1	A2	B1	B2	ØD1	ØD2	ØD3	C1	C2
06	80	60	55	45	6.6	M4x10 Dp.	1/4" BSP	40	25
10	100	80	70	60	9	M8x20 Dp.	1/2" BSP	60	40
20	135	100	100	70	9	M8x20 Dp.	1" BSP	70	50

CMD
RVD/12.23

Relief valve type RVD



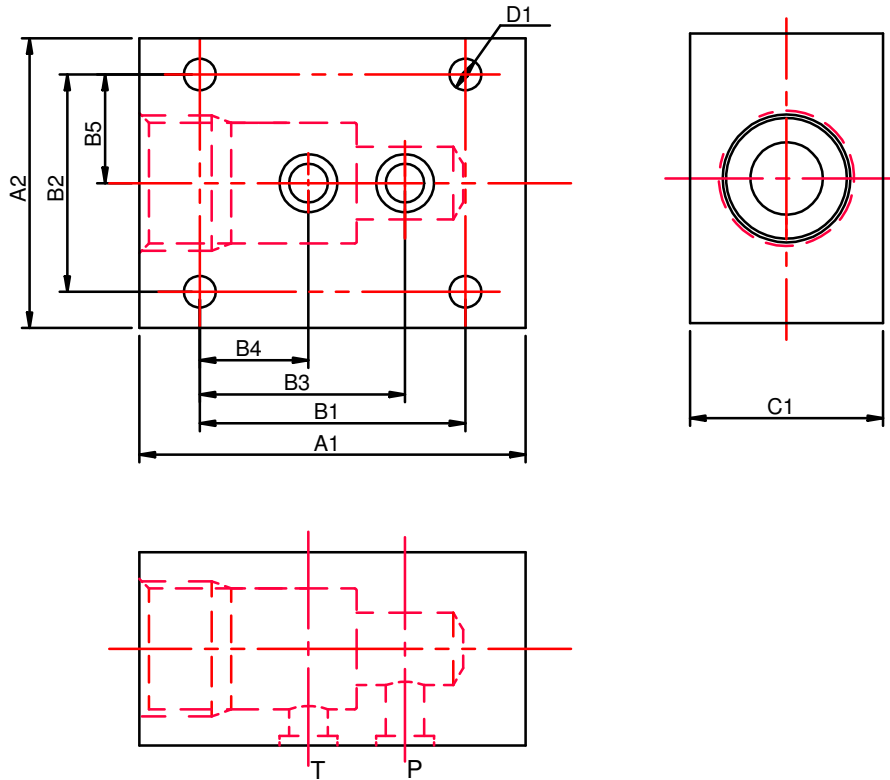
Replaces : RVD 11.11

Size : 06 to 20

up to 315 bar

up to 450 L/min.

Subplate Type



Size	A1	A2	B1	B2	B3	B4	B5	ØD1	C1
06	80	60	55	45	40	20	22.5	6.6	40
10	100	80	70	60	49	21	30	9	60
20	135	100	100	70	65	34	35	9	70

CMD
FVD/12.23

Counter Balance Valve type FVD



Replaces : 11.11

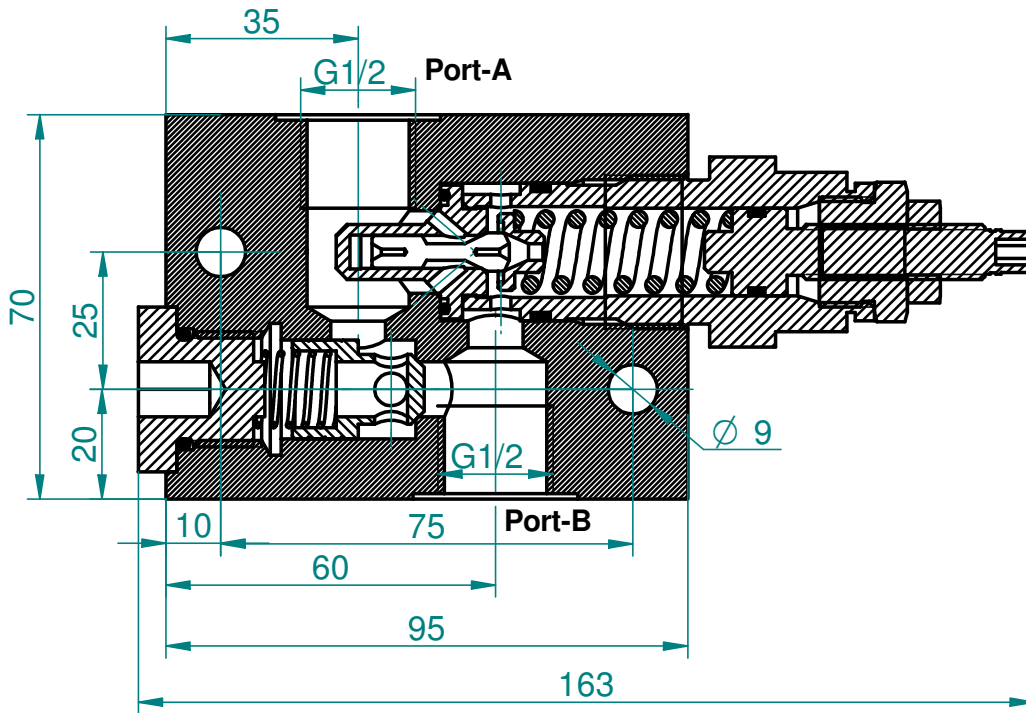
Size : 10 & 20

315 bar

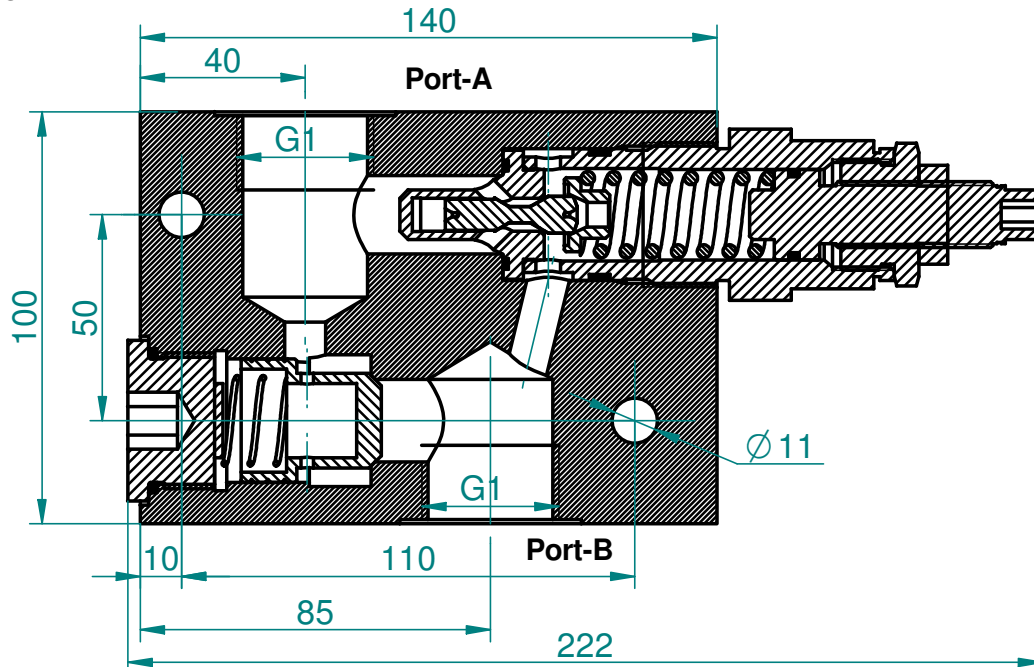
40 L/min.


Mounting Details

Mounting Details Size NG 10:-



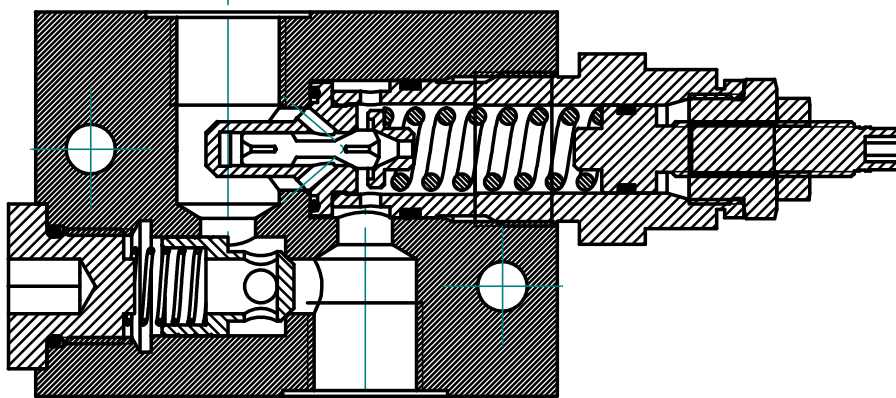
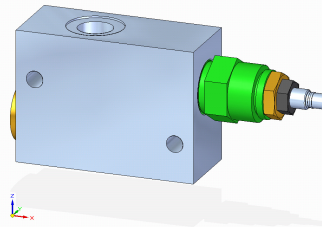
Mounting Details Size NG 20:-



CMD FVD/12.23	Counter Balance Valve type FVD			
Replaces :11.11	Size : 10 & 20	315 bar	Upto120 L/min.	

Features :

- Modular construction
- Available in different sizes
- Available in different pressure ranges



Ordering code

FVD S 10 T 100 *

Set screw type

=S

Further details to specify

Size
=10
=20

Revision status index

Threded

25 = Pr. 25 Bar
50 = Pr. 50 Bar
100 = Pr. 100 Bar
200 = Pr. 200 Bar
315 = Pr. 315 Bar

Technical data (for other sizes and special application, please contact mktg@cmhydraulics.com)

Maximum operating pressure	bar	315 Bar
Operating pressure	bar	25, 50, 100, 200, 315
Maximum flow	L/min.	NG 10=30; NG 20=120
Pressure fluid		Mineral oil (HL,HLP) to DIN 51 524; Fast bio-degradable pressure fluids to VDMA 24 568;HTEG (rape seed oil); HEPG (polyglycol); HEES (synthetic ester); other fluids on request
Pressure fluid - temperature range	°C	- 30 to + 80
Viscosity range	mm ² /s	2.8 to 500
Degree of contamination		Maximum permissible degree of contamination of the fluid is to NAS 1638 class 9.
Weight	Kg.	NG 10=2.1 Kg; NG 20= 6Kg.

CMD
HPS/12.23

Pressure Switch Type HPS



Replaces : 11..11

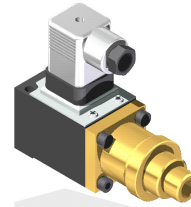
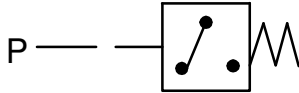
Size : 06

315 bar

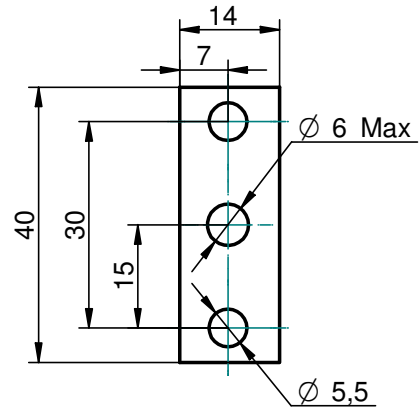
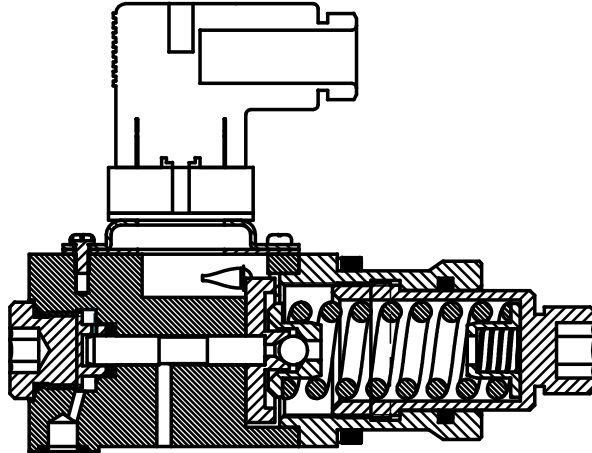
-

Features :

- Modular construction
- Piston type construction
- Available in different pressure ranges



Mounting Details:-



Ordering code

HPS S 06 100 *

Subplate mounting

=S

Further details to specify

Revision status index

Size

- 50 = Pr. 50 Bar
- 100 = Pr. 100 Bar
- 200 = Pr. 200 Bar
- 315 = Pr. 315 Bar

Technical data (for other sizes and special application, please contact mktg@cmhydraulics.com)

Maximum operating pressure	bar	315 Bar
Operating pressure	bar	50, 100, 200, 315
Maximum flow	L/min.	-
Electrical rating		250 V.AC 5.0 Amps. 50 V.DC 1.0 Amps. 250 V.DC 0.2 Amps.
Electrical connection		Plug in DIN connector
Pressure fluid - temperature range	°C	- 30 to + 80
Viscosity range	mm ² /s	2.8 to 500
Degree of contamination		Maximum permissible degree of contamination of the fluid is to NAS 1638 class 9.
Weight	Kg.	1.2 Kg

CMD
MPB/12.23

Pressure Module Block



Replaces : NIL

Series : MPB

up to 315 Bar

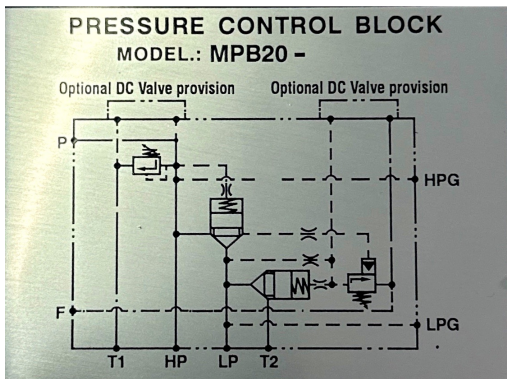
up to 160 L/min.

Features :

- Hi Low operation for double pump
- Unloads low pressure at set pressure
- Unloading option for both pumps
- Compact design



Symbols :



- HP - High Pressure connection
- LP - Low Pressure connection
- HPG- High pressure gauge
- LPG - Low pressure gauge
- T1- Tank high Pressure
- T 2- Tank Low Pressure
- F - Filter
- P- Out Let Connection

Ordering Code

	01	02	03	04	05	06	07
Eg	MPB20	06	50	200	F	A	B

- 01: Pressure control Module : **MPB 20**
- 02: High Pressure Relief valve : NG6 = **06** , NG10 = **10**
- 03: Unloading pressure : 50 Bar ; 100 Bar
- 04: High Pressure relief valve : 100 Bar ; 200 Bar ; 315 bar
- 05: provision : **F** for Filter (omit if not required)
- 06: Unloading for high pressure : **A** (omit if not required)
- 07: Unloading for Low pressure : **B** (omit if not required)